

Date \_\_\_\_\_  
 AVFI Sales REP \_\_\_\_\_  
 Customer Signature \_\_\_\_\_

Quote No. \_\_\_\_\_  
 Customer No. \_\_\_\_\_  
 AVFI No. \_\_\_\_\_

Office Use Only

To generate your order form, please refer to the information provided below to insert the alphabetic and/or numeric code in the respective category boxes. Please note that without this filled out Order Form, your purchase **cannot** be processed.

1 Product Model	2 Finishes		3 Chargeable Accessories (One Code Per Box)						4 Custom Cutouts	
	Fabric	Table Top								
<b>MS200-06 SET</b>										

**1 Product Model**



Code **MS200-06 SET**

**Standard Components Included:**  
 6x MS223SW (Seat Wedge), 3x MS223IB (Inside Back),  
 3x MS223OB (Outside Back), 1x MS215ET (End Table),  
 1x CUB4 (Power Panel)

**Note:** Metal legs, ganging connectors and hardware are included.

**2 Choose Product Finish**

**Fabrics**

					
<b>FNB212</b>	<b>FNB009</b>	<b>FNB059</b>	<b>FNB069</b>	<b>FEG059</b>	<b>FEG304</b>

**Table Top Finishes**

	
<b>ART</b>	<b>CWT</b>

**Comments (Please use this section to provide additional information)**

---

---

---

---

---

---

---

---

**3 Chargeable Accessories (Check all that apply)**

Code **00** No Accessories  
 Code **E1** **PB** 6 Outlet Power Bar .....Qty \_\_\_\_\_  
 Code **EA** **CUB4S** Silver Power Panel .....Qty \_\_\_\_\_  
 Code **EB** **CUB4B** Black Power Panel .....Qty \_\_\_\_\_  
 Code **EC** **CHGQIW** Wireless Charging Station White.....Qty \_\_\_\_\_  
 Code **ED** **CHGQI-DNGL** Dongle Lightning, 30 pin, Micro-USBQty \_\_\_\_\_

**Note:**  
 Codes **EA, EB, EC** are available for the **MS215ET End Table** (2 Maximum. Cutout required for each accessory). Code **ED** require **CHGQIW**

**Notes**

**CAD Drawings/Symbols**  
 CAD drawings are available by request at sales@vegroup.net

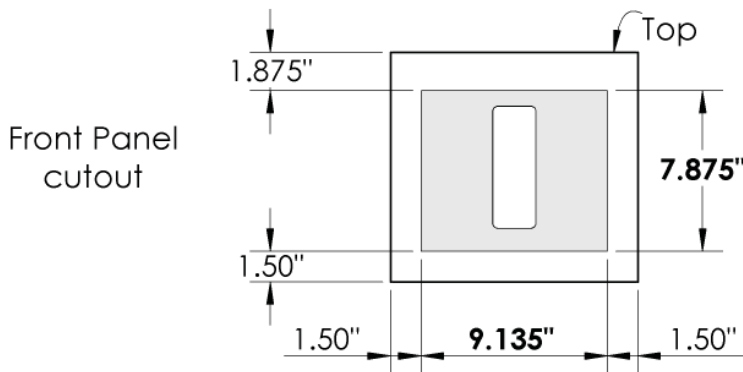
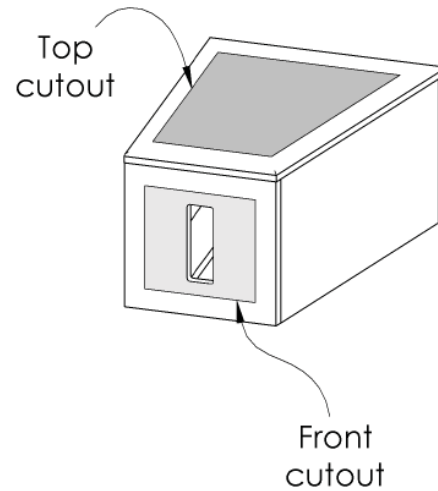
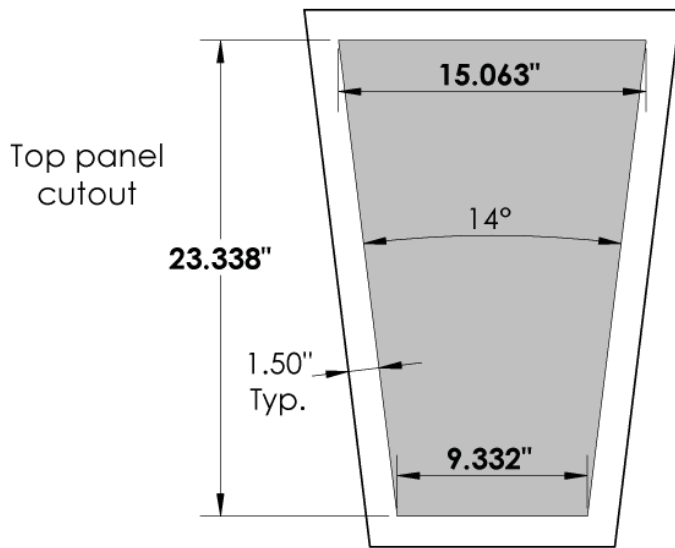
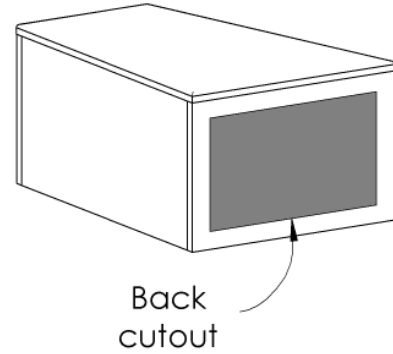
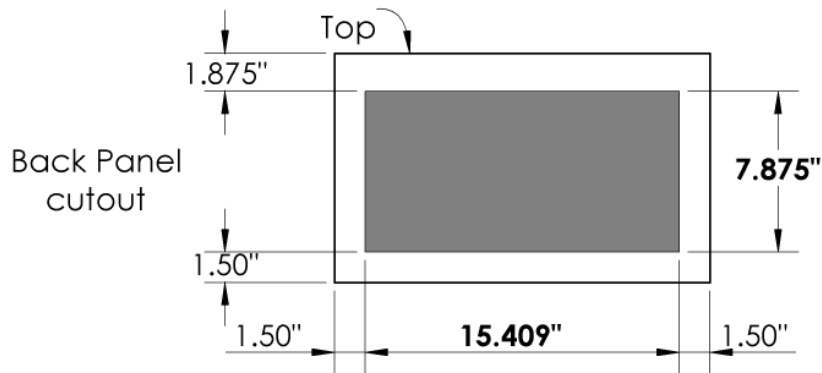
**Custom Cutouts**  
 Estimated lead time within 20 business days from receipt of P.O. and signed drawings.

Custom Cutout Option on Page 2 (Available for MS215ET End Table Only)

Please indicate custom cutout location on the drawing(s) below

**4** Custom Cutout Option (Extra charges will apply)

**MS215ET End Table**



Code **CO** No Custom Cutout

Code **CC** Custom Cutout (Specify on Cutout Area Above)

■ Cutout Area - Front Panel (9.135" W X 7.875" H)

■ Cutout Area - Top Panel (9.332"/15.063" W X 23.338" D)

■ Cutout Area - Back Panel (15.509" W X 7.875" H)