

Date _____
 AVFI Sales REP _____
 Customer Signature _____

Quote No. _____
 Customer No. _____
 AVFI No. _____

Office Use Only

To generate your order form, please refer to the information provided below to insert the alphabetic and/or numeric code in the respective category boxes. Please note that without this filled out Order Form, your purchase **cannot** be processed.

1 Product Model	2 Finishes		3 Chargeable Accessories (One Code Per Box)						4 Custom Cutouts
	Fabric	Table Top							
MS200-03 SET									

1 Product Model



Code **MS200-03 SET**

Standard Components Included:

5x MS223SW (Seat Wedge), 1x MS242CT (Coffee Table),
 2x MS215ET (End Table), 2x CUB4 (Power Panel)

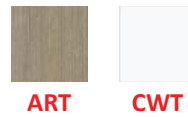
Note: Metal legs, ganging connectors and hardware are included.

2 Choose Product Finish

Fabrics



Table Top Finishes



Comments (Please use this section to provide additional information)

3 Chargeable Accessories (Check all that apply)

- Code **00** No Accessories
- Code **E1** **PB** 6 Outlet Power BarQty _____
- Code **EA** **CUB4S** Silver Power PanelQty _____
- Code **EB** **CUB4B** Black Power PanelQty _____
- Code **EC** **CHGQIW** Wireless Charging Station WhiteQty _____
- Code **ED** **CHGQI-DNGL** Dongle Lightning, 30 pin, Micro-USB Qty _____

Note: Codes **EA**, **EB**, **EC** are available for the **MS215ET End Table** (2 Maximum. Cutout required for each accessory). Code **ED** require **CHGQIW**

Notes

CAD Drawings/Symbols

CAD drawings are available by request at sales@vegroup.net

Custom Cutouts

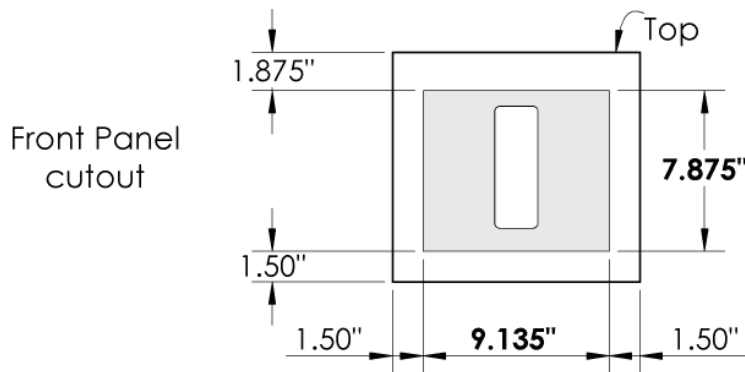
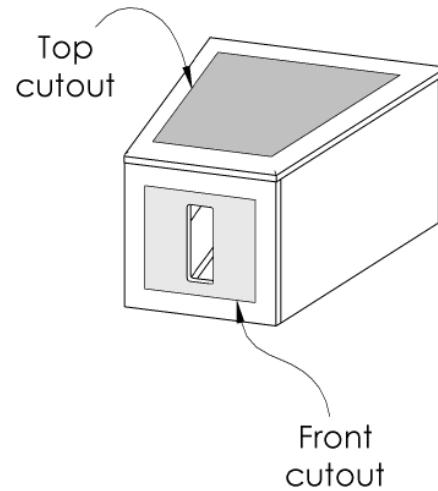
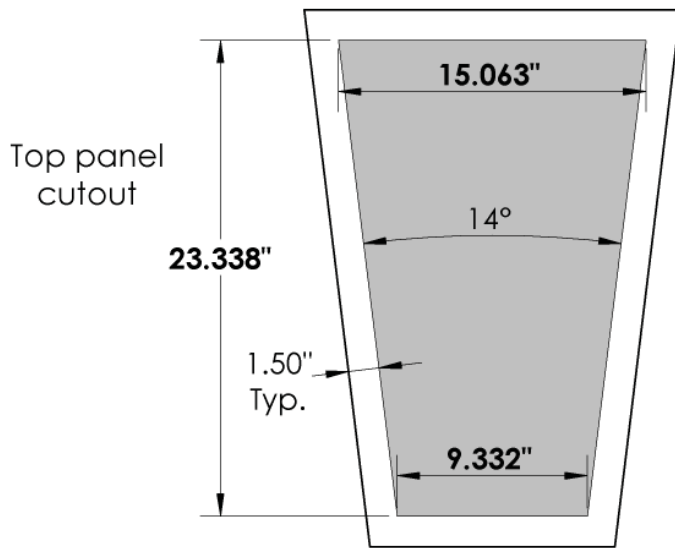
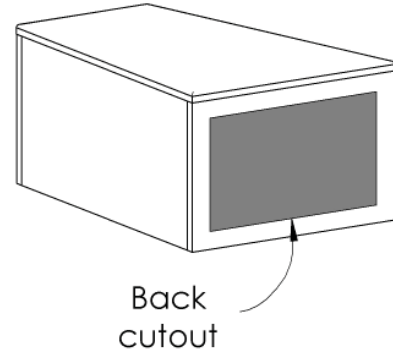
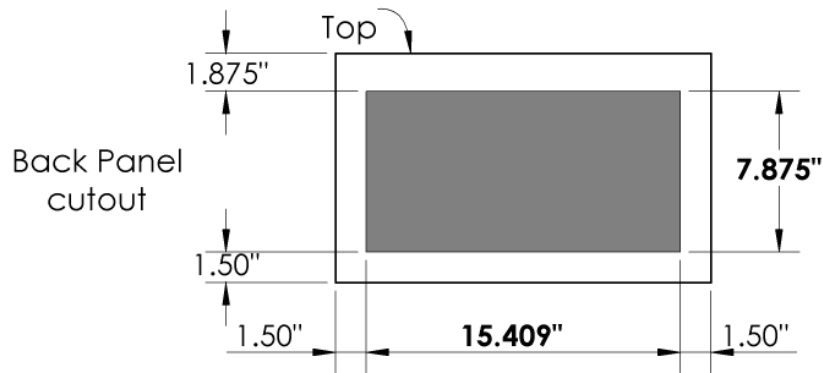
Estimated lead time within 20 business days from receipt of P.O. and signed drawings.

Custom Cutout Option on Page 2 (Available for MS215ET End Table Only)

Please indicate custom cutout location on the drawing(s) below

4 Custom Cutout Option (Extra charges will apply)

MS215ET End Table



Code **CO** No Custom Cutout

Code **CC** Custom Cutout (Specify on Cutout Area Above)

 Cutout Area - Front Panel (9.135" W X 7.875" H)

 Cutout Area - Top Panel (9.332"/15.063" W X 23.338" D)

 Cutout Area - Back Panel (15.509" W X 7.875" H)