

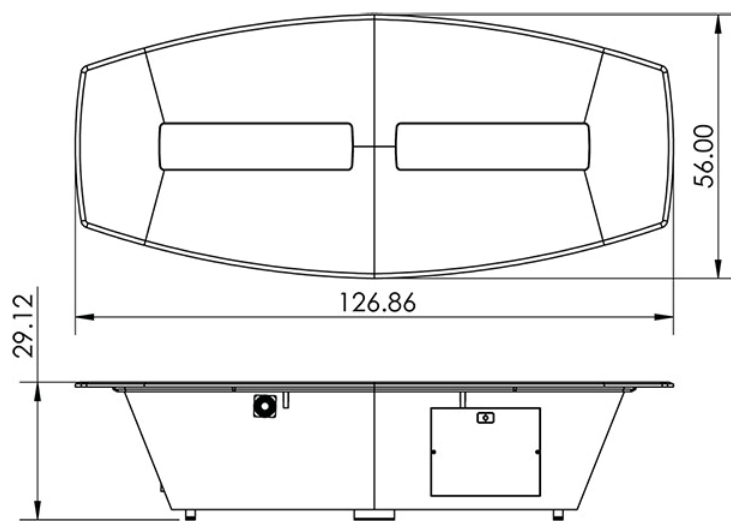
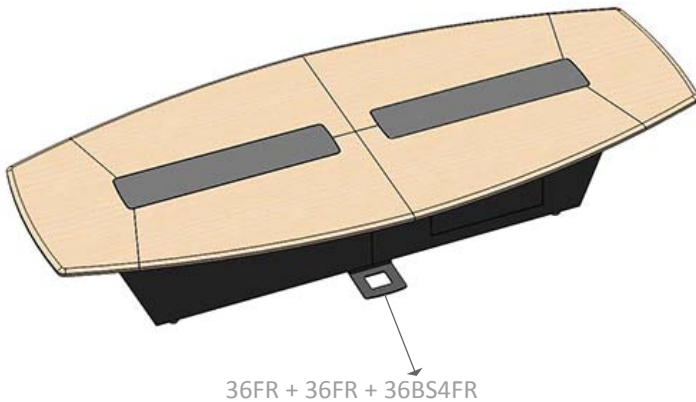
The **T3600 FTF** is a modular boat shaped table which allows 360 degree seating, consists of sections 36FR + 36FR + 36BS4FR. Package features islands for accommodating your electronics, power grommets/cubby's custom cutouts. Islands can be replaced as your technology changes.

### Standard Features

- Seats 10 people. Can be expanded with extensions later
- Large base with access panels for cable routing and device storage/mounting
- Islands for accommodating electronics/grommets
- Highly resistant thermowrap surface in many finishes

### Options

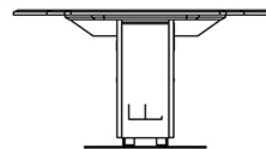
- **PLM1022** 10" - 24" LCD monitor mount
- **PB** Six outlet power bar with 10 ft. cord
- **SF-PB3** Surface mounted 3-outlet 120V power bar
- **CUB3** Round cable well
- **CUB4** Black-B/Silver-S Power Panel
- **CUB5** Round cable well
- **CUB8** Table top cable well
- **MIC-18** MX418 S/C Shure gooseneck microphone
- **CHGQIW** Wireless charging station white
- **CHGQI-DNGL** Dongle lightning, 30 pin, Micro-USB (Requires **CHGQIW**)
- **PC CUTOUT** Custom cutout for PC. For 36FR base
- **CUSTOM CUTOUT** Cutouts for electronics or other items specified by the customer



### Specifications

**Model:** T3600 FTF  
**Width:** 56"  
**Depth:** 10'-7"  
**36FR** - 63.5"  
**36RR** - 63.5"  
**Height:** 29.13"

### Finishes



The information contained in this drawing is the sole property of Audio Visual Furniture International. Any reproduction in part or as a whole without the written permission of Audio Visual Furniture International is prohibited. AVFI can build or modify stock configurations to suit customer specifications. Please contact us to discuss how this service can help meet your needs. Some quantity restrictions may apply. Specification subject to change without notice. Computers, cameras, monitors, etc. are shown to illustrate product usage and are not included unless otherwise noted.