



PDX20 roll-about multimedia podium is the ideal solution for distance education, electronic classrooms and corporate training sites.

Standard Features

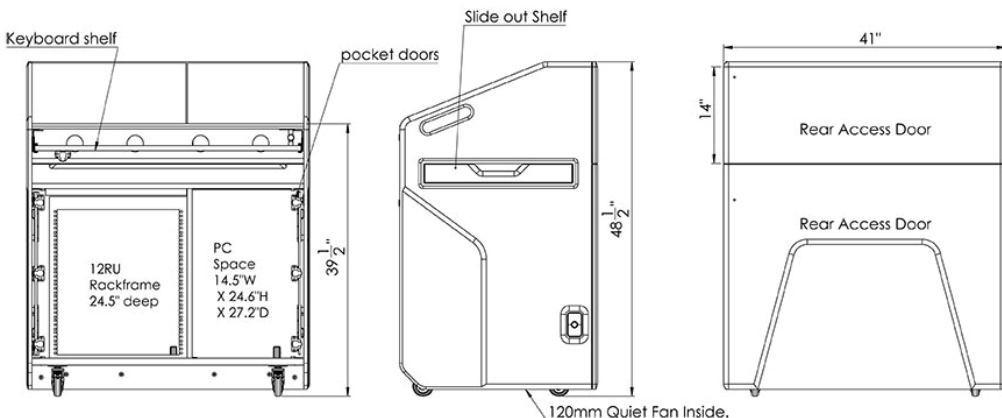
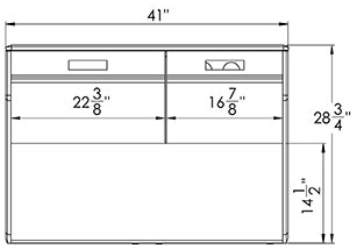
- Flat or wedge top pods with multiple configuration options to suit your interface requirements
- 2 rear doors with hidden locks for access to equipment from audience side as well as a locking keyboard door
- Interior space with 12U 19" rack frame (24.5" Deep)
- Tower PC compartment
- Hide away locking pocket front doors
- Slide-out side shelf
- FAN Quiet cooling 120mm fan
- Heavy duty casters (2 locking)
- Thermowrapped podium with choice of finishes
- Ships assembled

Options

- **C900S** Single adjustable monitor arm
- **PLM1022** 10" - 24" Monitor mount
- **MM1232** 12" - 32" Monitor mount
- **MCB1925** 19" - 25" Monitor/camera bracket
- **FM3** Count down timer/clock
- **MIC-18** MX418 S/C Shure Gooseneck microphone
- **LIGHT-18** Littlite Gooseneck
- **PB** Six outlet power bar with 10 ft. cord
- **PC-PATCH** 2x 110AC, RJ45, Phone, 2xUSB
- **SF-PB3** Surface mounted 3-outlet 120V power bar
- **CUB3** Round cable well
- **CUB4** Black-B/Silver-S Power Panel
- **CUB5** Round cable well (Black or silver)
- **CUB8** Table top cable well
- **CHGQIW** Wireless charging station white. Only on flat cutout
- **CHGQI-DNGL** Dongle lightning, 30-pin, Micro-USB. Requires CHGQIW
- **9031/9041/9052** Utility metal shelves/drawer (Check website)
- **DIR9200-10/12** 10U/12U Rack module
- **RMT12** 12U Rack frame kit (Rear)
- **9107** Lacing bar (19" long)
- **MAGKEY** Additional key for hidden locks
- **LEV4AX4** 4x Levelers for non-mobile applications
- **GRC60** 60mm Round grommet. Black-B, white-W & grey-G
- **CUSTOM CUTOUT** Cutouts for electronics or other items specified by the customer



Dual Wedge/Pod Configuration Shown



Specifications

Model: PDX20
Width: 41"
Depth: 30"
Height: 48.5"

Finishes



Other finishes are available. Check website.

The information contained in this drawing is the sole property of Audio Visual Furniture International. Any reproduction in part or as a whole without the written permission of Audio Visual Furniture International is prohibited. AVFI can build or modify stock configurations to suit customer specifications. Please contact us to discuss how this service can help meet your needs. Some quantity restrictions may apply. Specification subject to change without notice. Computers, cameras, monitors, etc. are shown to illustrate product usage and are not included unless otherwise noted.