



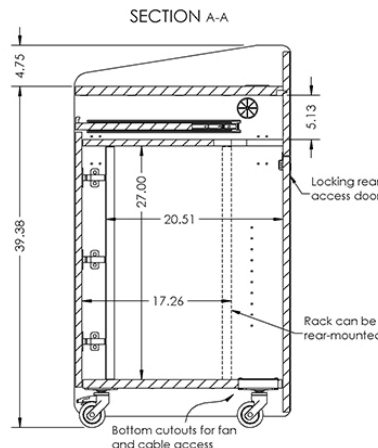
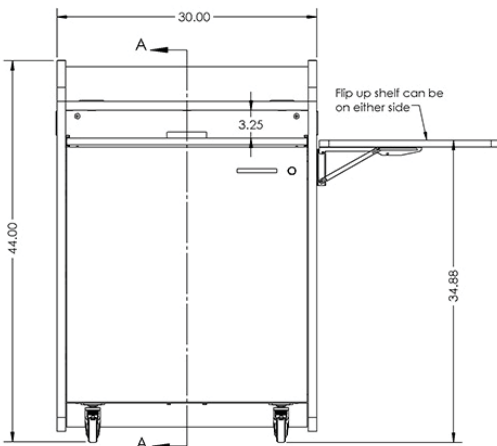
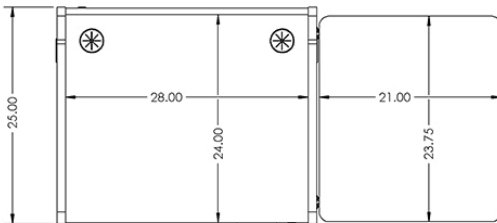
The roll-about economy podium model **PD3004** is a smaller compact version of our popular multimedia presentation podiums. To reduce the overall size this unit comes with a large folding side shelf and an open front keyboard shelf.

Standard Features

- Made with furniture grade laminates
- Rack 14 spaces EIA compliant threaded rack frame (10-32 screws)
- Large 28" W x 24" D work surface to accommodate monitors, laptops and presentation documents
- Slide out keyboard shelf
- Heavy-duty casters for easy maneuvering
- Large 21" W x 23.75" D folding side shelf
- Ships assembled

Options

- **C900S/C900D** Single/Dual adjustable monitor arm
- **PLM1022** 10" - 22" Monitor mount
- **MM1232** 12" - 32" Monitor mount
- **MCB1925** 19" - 25" monitor/camera bracket
- **FM3** Count down timer/clock
- **FAN** Quiet cooling fan
- **MIC-18** MX418 S/C Shure Gooseneck microphone
- **LIGHT-18** Littlite Gooseneck
- **PB** Six outlet power bar with 10 ft. cord
- **PC-PATCH** 2x 110AC, RJ45, Phone, 2x USB
- **SF-PB3** Surface mounted 3-outlet 120V power bar
- **CUB3** Round cable well
- **CUB4** Black-B/Silver-S Power Panel
- **CUB5** Round cable well (Black or Silver)
- **CUB8** Table top cable well
- **CHGQIW** Wireless charging station white
- **CHGQI-DNGL** Dongle lightning, 30-pin, Micro-USB. Requires CHGQIW
- **9031/9041/9052** Metal shelves/drawer (Check website)
- **RMT14** 14U Rear rack frame kit
- **SH-FL** Additional folding shelf
- **CNL28** Removable console for custom surface cutouts
- **9107** Lacing bar (19" long)
- **LEV4AX4** 4x Levelers for non-mobile applications
- **CUSTOM CUTOUT** Cutouts for electronics or other items specified by the customer



Specifications

Model: PD3004
Width: 30"
Depth: 25"
Height: 44"

Finishes



Other finishes are available with a longer lead time. Please check website.

The information contained in this drawing is the sole property of Audio Visual Furniture International. Any reproduction in part or as a whole without the written permission of Audio Visual Furniture International is prohibited. AVFI can build or modify stock configurations to suit customer specifications. Please contact us to discuss how this service can help meet your needs. Some quantity restrictions may apply. Specification subject to change without notice. Computers, cameras, monitors, etc. are shown to illustrate product usage and are not included unless otherwise noted.