

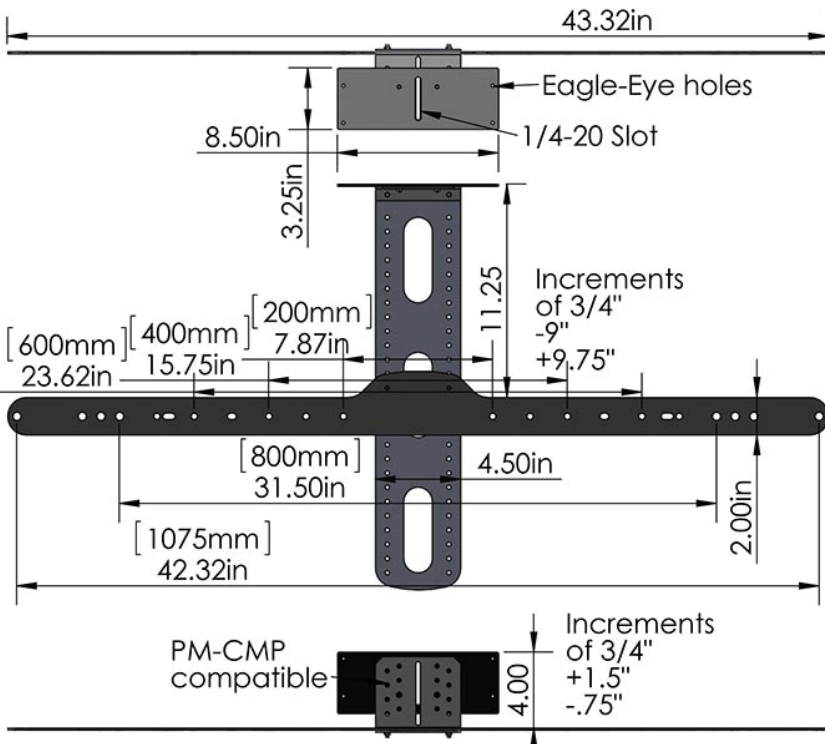
Need to attach a camera to a wall mounted or freestanding TV? Now you can with our TVCB-XL bracket.  
**TVCB-XL** features adjustable camera height for different size TV's from 56" to 90" (Up to 1075mm VESA width)

**Standard Features**

- Sturdy 11 Ga steel construction
- Accommodates most 56" - 90" flat panel monitors
- Designed for tabletop with base or wall mounted TV's
- Fits most cameras including wide HD cams (\*EagleEye™)
- Camera height adjustable for different TV and camera sizes
- Fastening hardware included
- Black or white powder coated finish

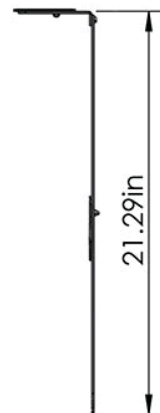
**Options**

- **PB** Six outlet power bar with 10 ft. cord
- **CBB-TV** Under TV camera bracket (26" - 80" TV's)
- **BKT-ST60** Cisco SpeakerTrack60 Camera bracket
- **BKT-C20** C20 Codec bracket



**Specifications**

**Model:** TVCB-XL  
**Width:** 43.32"  
**Depth:** 3-1/4"  
**Height:** 21.29"  
**Color:** Black/White



The information contained in this drawing is the sole property of Audio Visual Furniture International. Any reproduction in part or as a whole without the written permission of Audio Visual Furniture International is prohibited. We can build or modify stock configurations to suit customer specifications. Please contact us to discuss how this service can help meet your needs. Some quantity restrictions may apply. Specification subject to change without notice. Computers, cameras, monitors, etc. are shown to illustrate product usage and are not included unless otherwise noted. \*Polycom® and EagleEye™ are registered trademarks of Polycom of Pleasanton, California